



FS17B

Floor Scrubber Manual



Please read this manual carefully and make sure fully understand before using.

Please keep this Manual for future reference.

Dycon Cleantec Co.,Ltd.

1.0 Summary



Note: please read this manual carefully before operating.

FS17B / C folding mini floor scrubber is a kind of hard floor fast cleaning machine, specially designed for small and medium-sized places. It has all the functions of conventional floor scrubber. The machine is more compact, and it is convenient to work in less spacious areas. It is a good helper for cleaning small supermarkets, shops, restaurants and other places.

The machine integrates the functions of floor washing and floor drying, and the floor can be cleaned only once. The machine is usually used indoors, not suitable for use in the rain.

It is strictly forbidden to use the machine to collect dangerous dust or flammable liquid in flammable and explosive environment. In addition, the machine is not a transportation tool.

2.0 Summary of safety issues



Note: please read this manual carefully

- Be familiar with all design, control methods and functions of this machine before starting work.
- For first time using, operator should place it in an open area to understand its various functions.
- Before starting any operation, check whether the machine and its parts are in normal condition.
- If the machine is not working normally, it can not be used.
- The operator can only use the machine for hard floor cleaning, not for other purposes.
- Pay attention to the obstacles in the workplace, such as stairs and shelves, and pay attention to the surrounding people, especially children.
- Use the appropriate detergent (only use the detergent according to the detergent manufacturer's instructions, proper dosage and limit requirements when using the detergent for floor scrubber.)
- Only properly trained personnel use the right tools to maintain and repair the floor washer.
- Turn off the power or remove the battery when cleaning or maintaining the machine.
- It is forbidden to use high-pressure water or steam equipment to clean the machine.
- Do not allow water into electrical components.



Washing powder or detergent should not be used as cleaning agent to join the machine. They will remain on the floor and produce a lot of bubbles in the machine, which will directly damage the suction motor, this kind of damage is not within the scope of warranty.

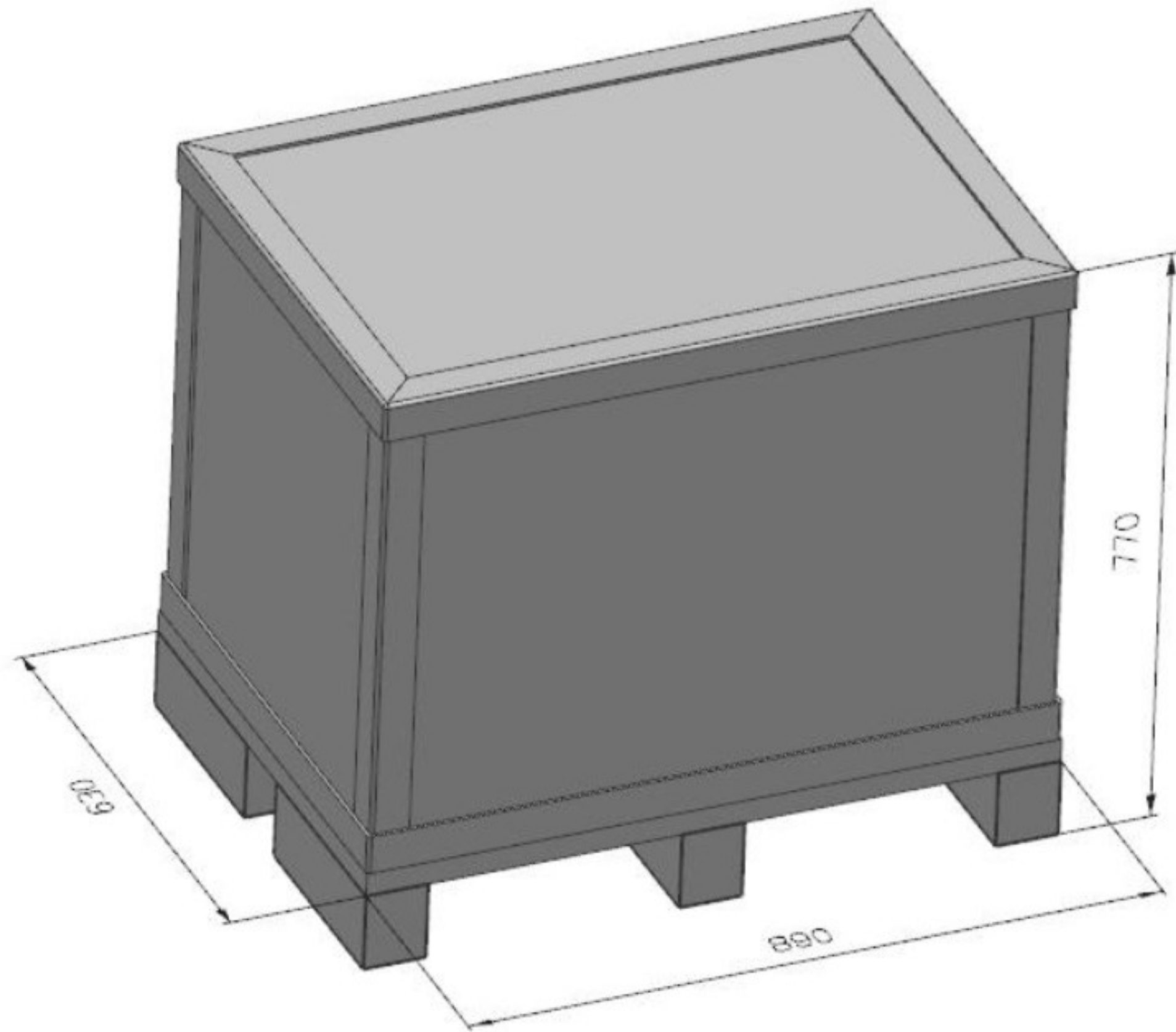


Note: it is forbidden to use this machine to clean flammable liquid, solvent, fuel oil, active metal water vapor or combustibile dust.

3.0 Technical parameter

Item	FS17B
Rated voltage	DC24V
Working width	17 Inch
Suction width	20 Inch
Efficiency	16150 Ft ² / Hour
Brush	17 Inch
Brush rpm	180rpm
Traction	brushdrive
Brush motor	380W
Brush pressure	5 Lb
Suction motor	300W
Vacuum degree	140mbar
Solution tank	5.3 Gallon
Recovery tank	5.3 Gallon
Noise level	68dB
Battery	4×DC12V 40Ah
Run time per charge	2.5 Hour
Machine weight	74kg
(with battery)	

4.0 Machine packing



The machine adopts special packaging which is convenient for forklift loading and unloading, wooden pallet + cardboard box, and can not be heavy load and impacted.

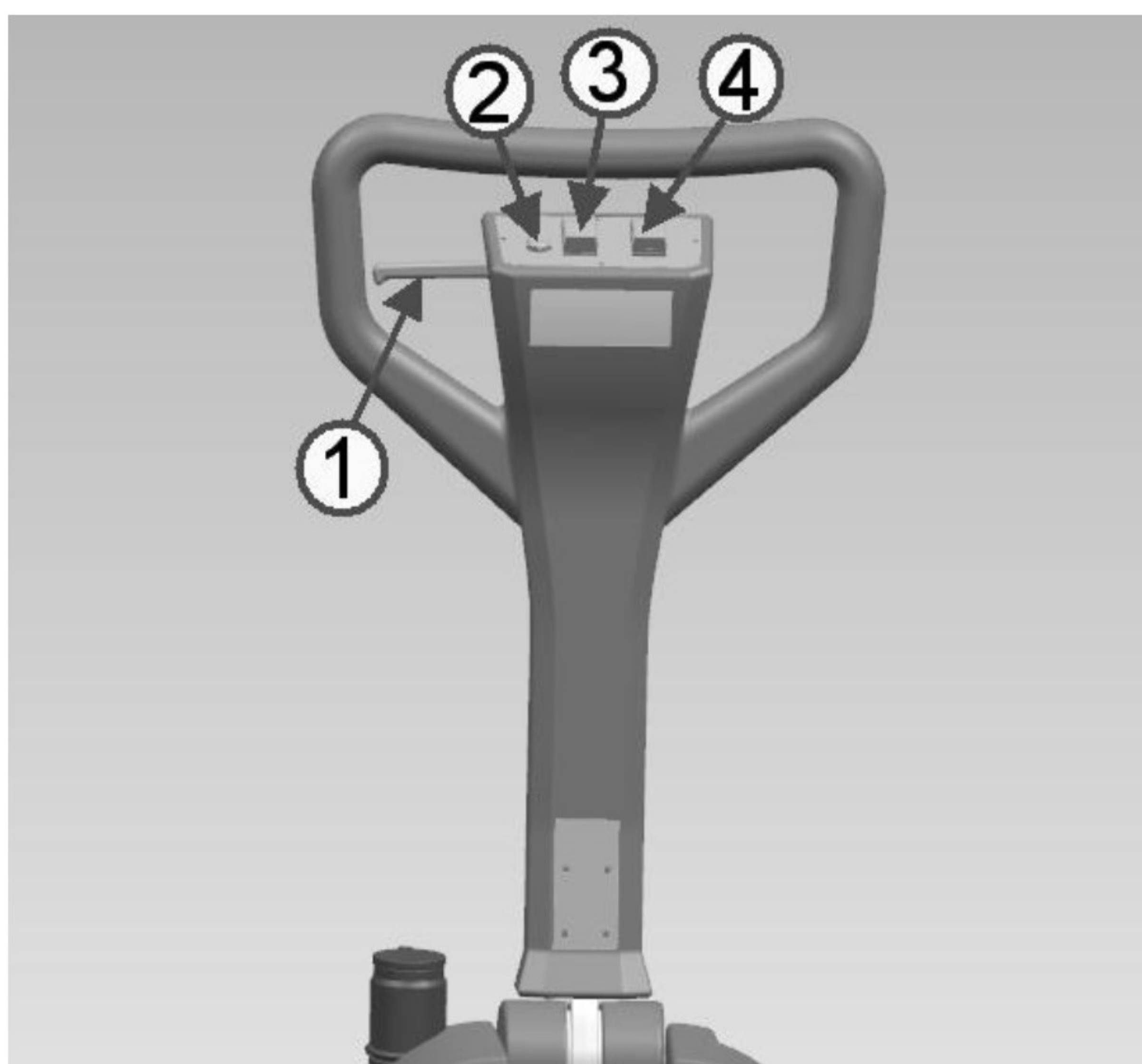
Packing dimension:

Length: 890mm

Width: 630mm

Height: 770mm

5.0 Instruction for use



5-1 Control handle diagram:

- ① angler pull rod: the angle of handle can be adjusted when pulling up, and it can be positioned at a certain angle after releasing.
- ② power switch
- ③ suction motor switch
- ④ brush motor switch

Folding handle operation:

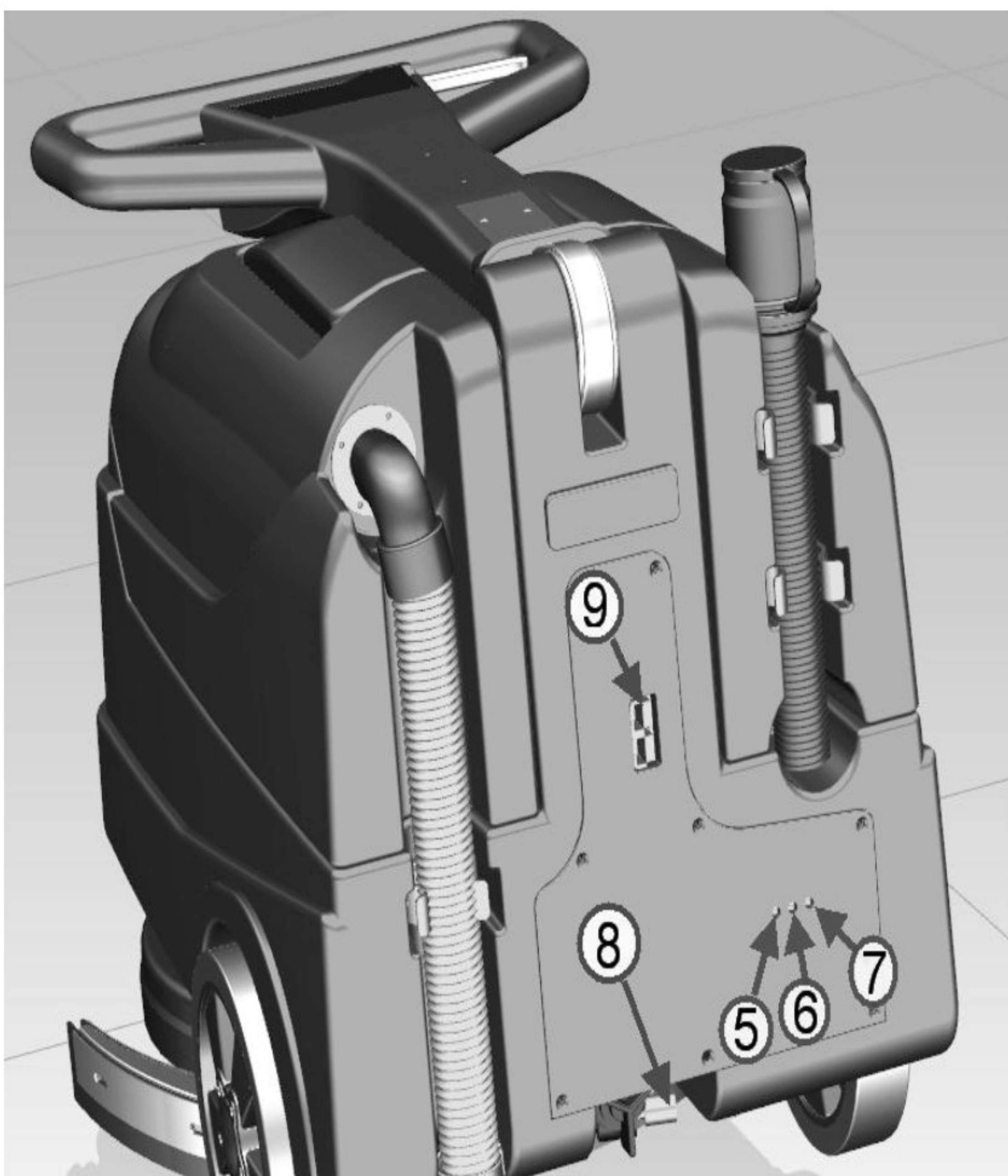
- Adjust the handle angle, first please lift the operating lever upward.

- When the handle is adjusted to a proper position, release the operating lever.

- Do not pull the operating lever or the operating lever does not pull in place, forcibly pull the handle, all these will cause damage to the handle!



5-2 Rear view of machine



⑤ Battery power indicator (red)

⑥ Battery power indicator (yellow)

⑦ Battery power indicator (green)

When the red, yellow and green lights are on, it means that the electricity is sufficient.

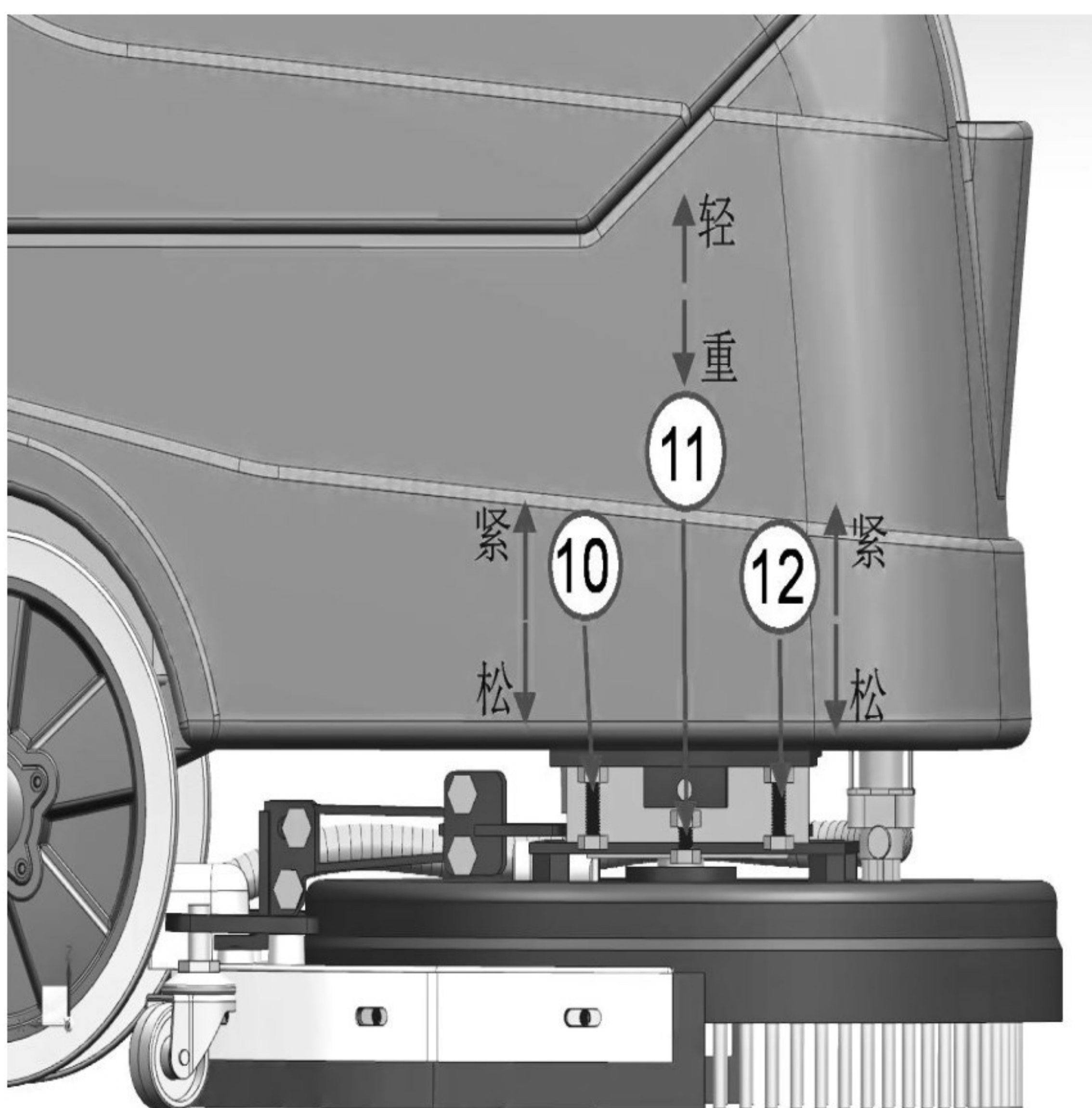
When the green light is off and the red and yellow lights are on, it means that the power consumption has been more than half.

When the red indicator light is on and flashing, it means that the power is insufficient, so it should be charged in time.

⑧ water adjustment knob

⑨ charging port

5-3 Machine head view



⑩ ⑫ Balance adjusting screw—When the machine is working, it can be adjusted when there is obvious deviation to the left or right, for example, when the loss of new brush bristles is about 1 / 3, the machine will run to the right. At this time, the screw ⑫ should be adjusted appropriately, then adjust screw ⑩ ,until it's balanced. To reversed adjust to change brush.

⑪ Supporting plate adjusting screw -- it is used to adjust the machine when it is hard to push forward or when it runs forward too fast.

6.0 Maintenance

1. Daily maintenance

- (1) Remove the pad holder / brush and clean with specific detergent.
- (2) Drain the water in the solution and recovery tank, and rinse with clean water.
Check whether there are debris in the recovery tank, if any, please remove them immediately.
- (3) Lift the squeegee away from the floor and wipe the rubber with a wet towel.
- (4) Remove the vacuum suction filter screen device and rinse with water.
- (5) Clean the machine with a specific cleaner.
- (6) Charge the battery.
- (7) Check whether the rubber edge is sharp. If it is damaged, please replace it.

2. Monthly maintenance

- (1) Check that the top of the battery is clean to prevent corrosion.
- (2) Check whether the battery connecting wire is loose or corroded.
- (3) Check the sealing strip of the recovery tank cover. If it is damaged, please replace it.
- (4) Lubricate all lubricating parts and shafts with special lubricating oil.
- (5) Check that the machine fasteners are loose.
- (6) Check the tank is leakage.

3. Motor maintenance

- (1) Please contact the floor scrubber manufacturer.
- (2) Check the motor carbon brush after every 250 hours of use. If the carbon brush is seriously worn, please contact the manufacturer for replacement.

4. Battery maintenance

- (1) Please follow the battery charging section in the operation manual.
- (2) The top of the battery and the electrode must be protected against corrosion.
- (3) Regularly check whether the battery connecting wire is worn and whether the contact is loose. If necessary, please replace it.

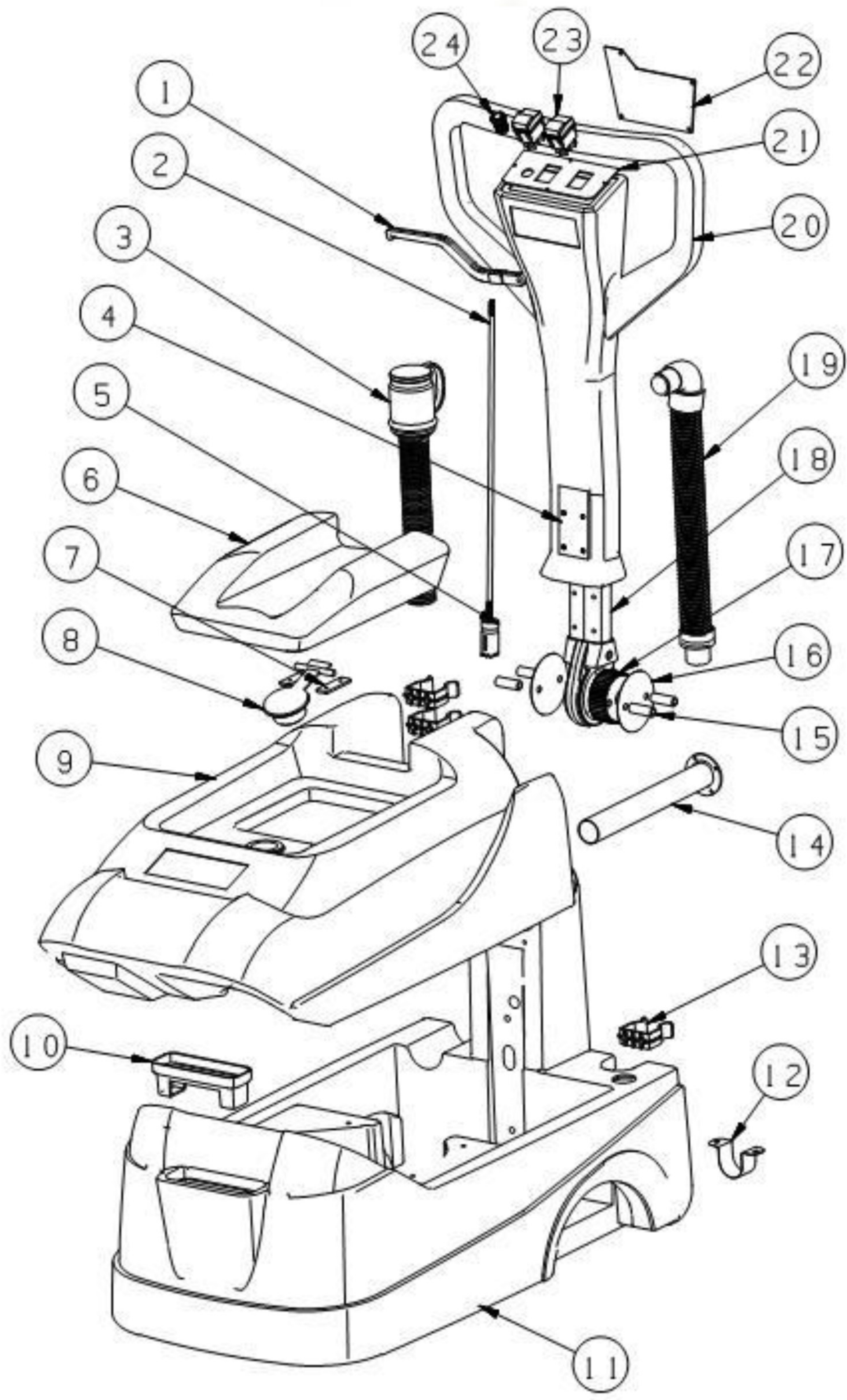
5. Machine storage

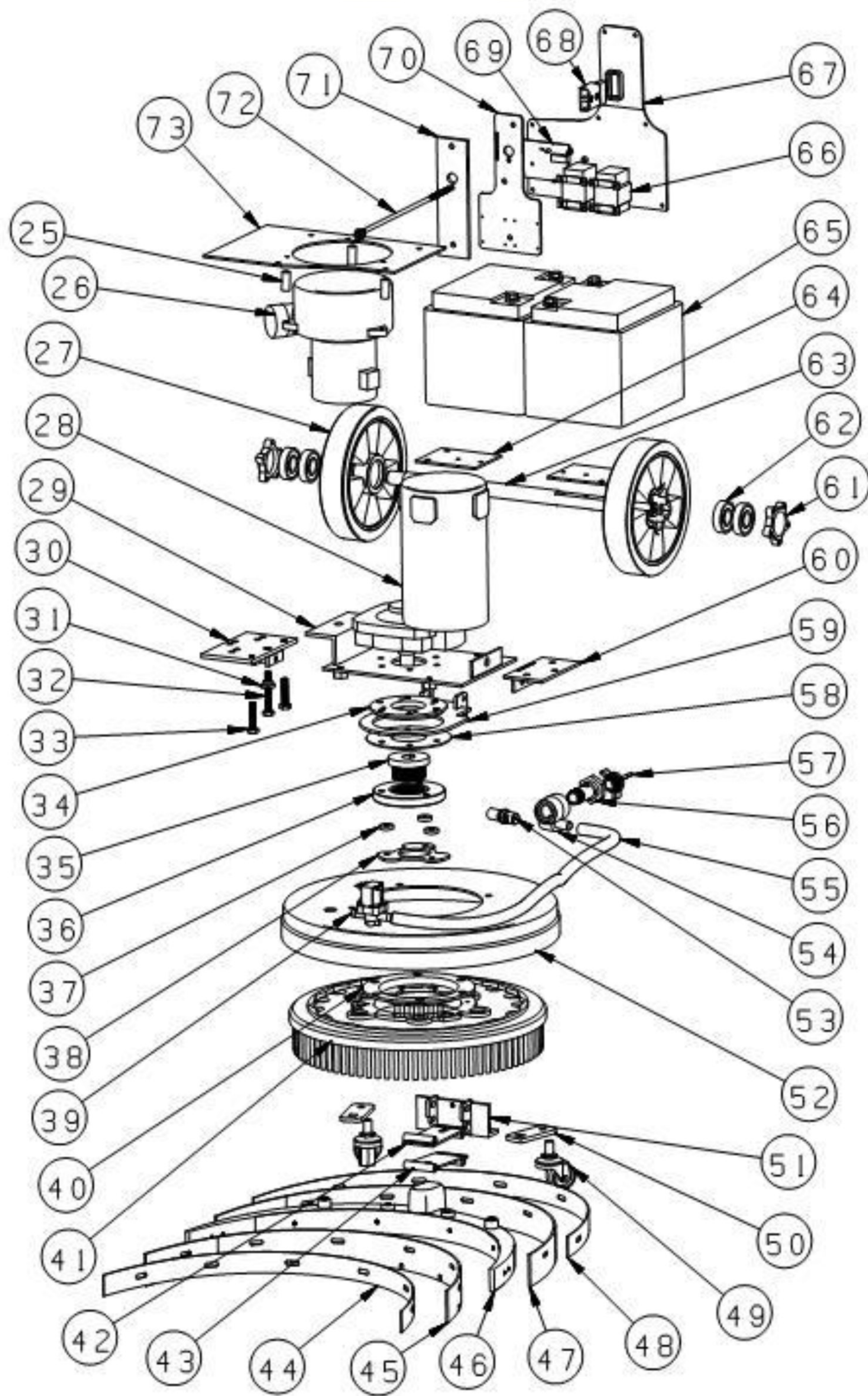
- (1) Store indoors and in a dry place.
- (2) Store upright.
- (3) Lift the brush away from the floor.
- (4) Lift the squeegee assembly off the floor.
- (5) Keep the machine completely dry before storage in a cold place.
- (6) Drain the recovery and solution tank.

7.0 Common faults and treatment methods

Fault	Cause analysis	Solution
Machine does not work	power switch off	turn on power switch
	battery power is insufficient and needs to be recharged	charge
	battery damage	battery replacement
	battery wiring loosening	tighten wiring
	fuse burned	fuse replacement
	damage of power switch	contact manufacturer
brush motor does not work	battery power is insufficient and needs to be recharged	charge
	brush disc motor damage or circuit damage	contact manufacturer
	carbon brush wear of brush motor is serious	contact manufacturer
	damage of electromagnetic switch	contact manufacturer
	controller damage	contact manufacturer
	damage to drive motor or its circuit	contact manufacturer
suction pump can not operate	suction pump overload fuse burned	fuse replacement
	damage to suction pump or its circuit	contact manufacturer
	carbon brush wear of suction pump is serious	contact manufacturer
solution flow rate is little or no	ball valves open too small or close	adjust flow switch
	flow switch set too small or turn Off	adjust flow switch
	clogging of solution hose or filter	rinse water pipes or filters with clean water
	blockage of discharge solenoid valve	dismantling and opening

		Hydro-solenoid Valve Cleaning
poor water absorption	recovery tank full	drain out recovery tank
	the plug of the drain pipe is loose.	tighten the plug for drainage pipe
	blockage of float filter device	flushing float filter
	blockage of squeegee assembly	Rinse squeegee assembly
	rubber wear	transfer to use or replace
	incorrect position of rubber	adjusting the height of rubber and floor
	suction pipe is not reliably connected to the squeegee assembly.	reliable connection of suction pipes
	blockage of suction pipe	clean up the blockage
	damage of suction pipe	replacement of suction pipes
	the lid of the recovery tank is not covered properly.	cover up
	sealing strip of recovery tank cover	replacement of seal strip
short running time	damage of suction pump	contact manufacturer
	low battery capacity	Charge
	damage of battery	replacement of battery
	batteries need to be maintained	see battery maintenance
	damage of charger	maintenance or replacement of chargers







TOOLOTS American warehouse:

16300 Shoemaker Ave. Cerritos, CA 90703

TOOLOTS Houston warehouse:

2523 Fairway Park Dr #510, Houston, TX 77092

<https://www.toolots.com>

Dycon Cleantec Co.,Ltd.